

KFC-P631

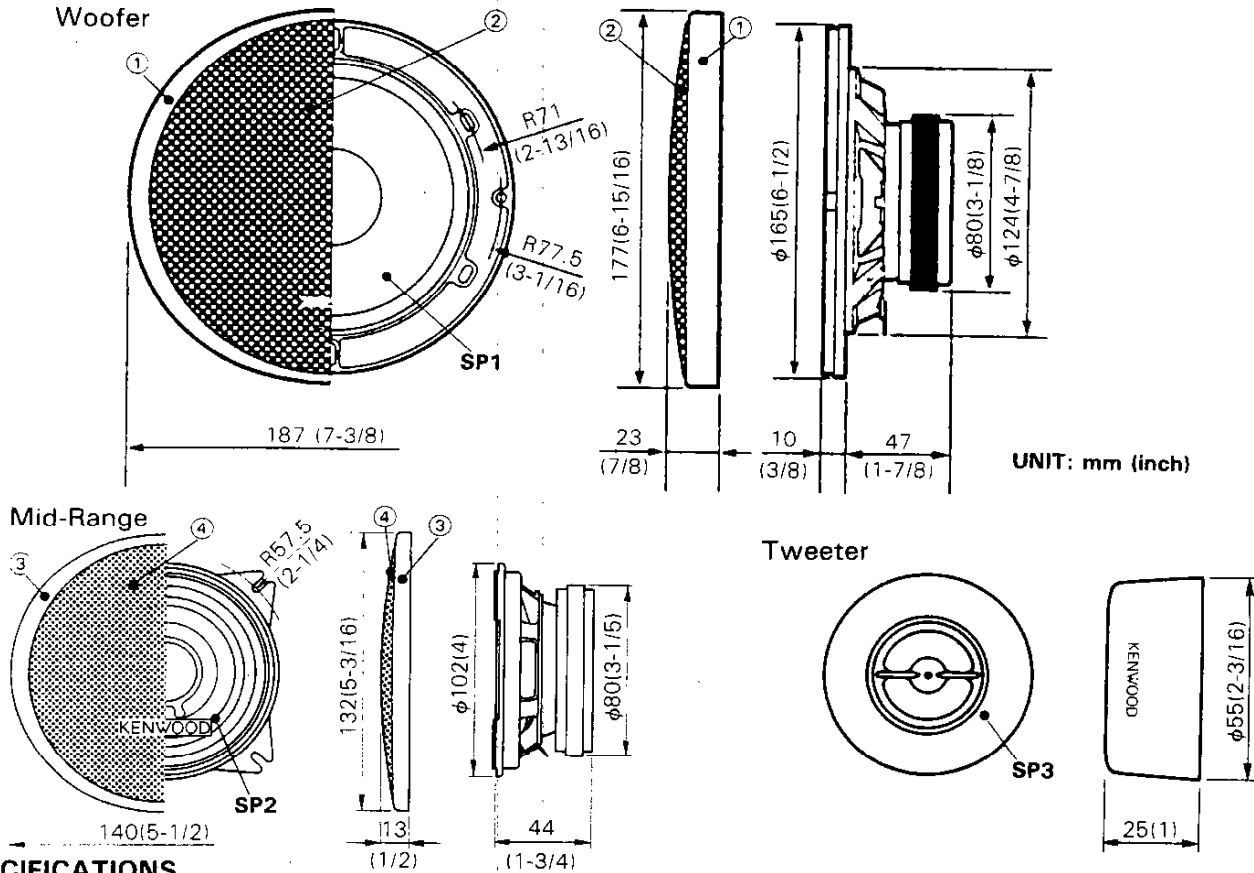
SERVICE MANUAL

KENWOOD



©1990-5 PRINTED IN JAPAN
B51-6195-00(T) 1236

EXTERNAL VIEW



UNIT: mm (inch)

SPECIFICATIONS

Woofer	16 cm (6 in) PP Cone Type 227 g (8 oz) Magnet
Peak Power	150 Watts
Sensitivity	89 dB/W at 1 m
Frequency Response	45 Hz ~ 8,000 Hz
Impedance	4 Ohms
Weight per Speaker with Grille	0.9 kg (2 lb)/Pc.
Mid-Range	10 cm (4 in) Cone Type 180 g (6.3 oz) Magnet
Peak Power	150 Watts
Sensitivity	89 dB/W at 1 m
Frequency Response	65 Hz ~ 10,000 Hz
Resonant Frequency (Fo)	140 Hz
Impedance	4 Ohms
Weight Per Speaker	0.53 kg (1.17 lb)/Pc.

Tweeter	2.5 cm (1 in) Balanced Dome Type
Peak Power	150 Watts
Sensitivity	93 dB/W at 1 m
Frequency Response	3,500 Hz ~ 20,000 Hz
Impedance	4 Ohms
Weight Per Speaker	0.1 kg (0.22 lb)/Pc.

KENWOOD follows a policy of continuous advancements in development
For this reason specifications may be changed without notice.)